

MARSEL
DISPLAY MARKETING

NEW

INTRODUCING THE UNIQUE AND INNOVATIVE

INFO SHADE[®]

THE INTERACTIVE SHELF TALKER



**Maximise sales
Don't let customers
pass you by**



For more information visit our website - www.infoshade.co.uk

INTRODUCING THE UNIQUE AND INNOVATIVE INFOSHADE®

THE INTERACTIVE SHELF-TAKER

The System

Customers need more information

Delivers more information in limited spaces

Displays information in an interactive and fun format

Infoshade can be easily integrated into fixtures and displays using one of many attachments available

Applications

Retail Shelving

A unique and innovative way to offer product selection guides, reinforce brand equity or highlight product features.

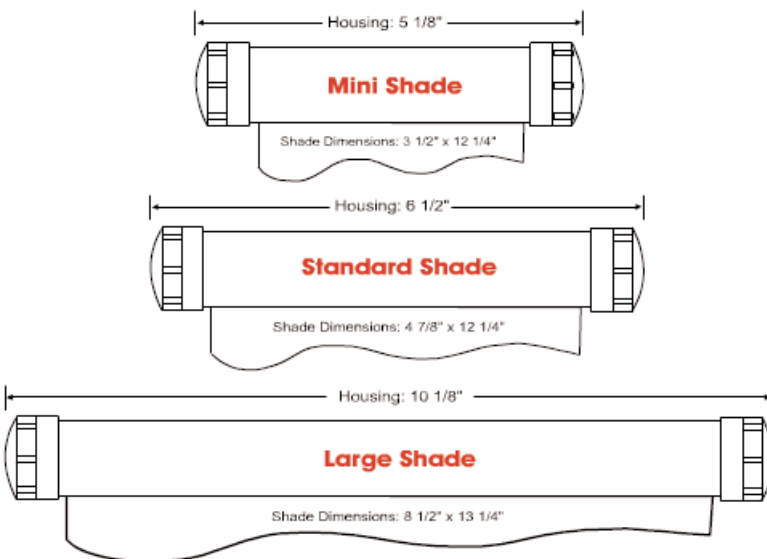
Display and Fixtures

Integrate into fixtures and displays to offer more information if area is limited.

Product Placement

Affix directly to products to provide consumers detailed information and product specifications.

Sizes



Custom printed designs for maximum product appeal



Marsel Display Marketing

Marsel House Belton Road Silsden West Yorkshire BD20 0EE

Tel: 01535 650000 Fax: 01535 650001 email: marsel@marsel.co.uk web: www.marsel.co.uk